

This document provides installation instructions for mounting the 7008 controller in a two-post 19-inch Telco rack.

Package Contents

- Rack mount tray
- Power adapter bracket
- Hard disk drive (HDD) bracket
- Four M6 x 15 mm Phillips pan head screws
- Four M3 x 5 mm flat head screws
- Four M3 x 6 mm pan head screws
- Power supply cord clip
- Aruba 7008-MNT-19 Kit Installation Guide (this document, printed)

Rack Mount Installation

This mounting option allows mounting the 7008 controller in a two-post 19-inch Telco rack.

Required Tools and Equipment

The following tools and equipment are required for installing a 7008 controller:

- Rack mount tray (x1) for rack mount installation
- Power adapter bracket for securing the adapter on the rack mount tray
- Power supply cord clip for securing the power supply cord
- M3 x 5 mm flat head screws (x4) for securing the controller on the rack mount tray
- M6 x 15 mm Phillips pan head screws (x4) for rack mount
- M3 x 6 mm pan head screws (x2) for power adapter bracket
- (Optional) HDD bracket for securing the HDD on the rack mount tray
- (Optional) M3 x 6 mm pan head screws (x2) for HDD bracket
- Suitable screwdrivers for all screw types provided in the box (not included in the kit)



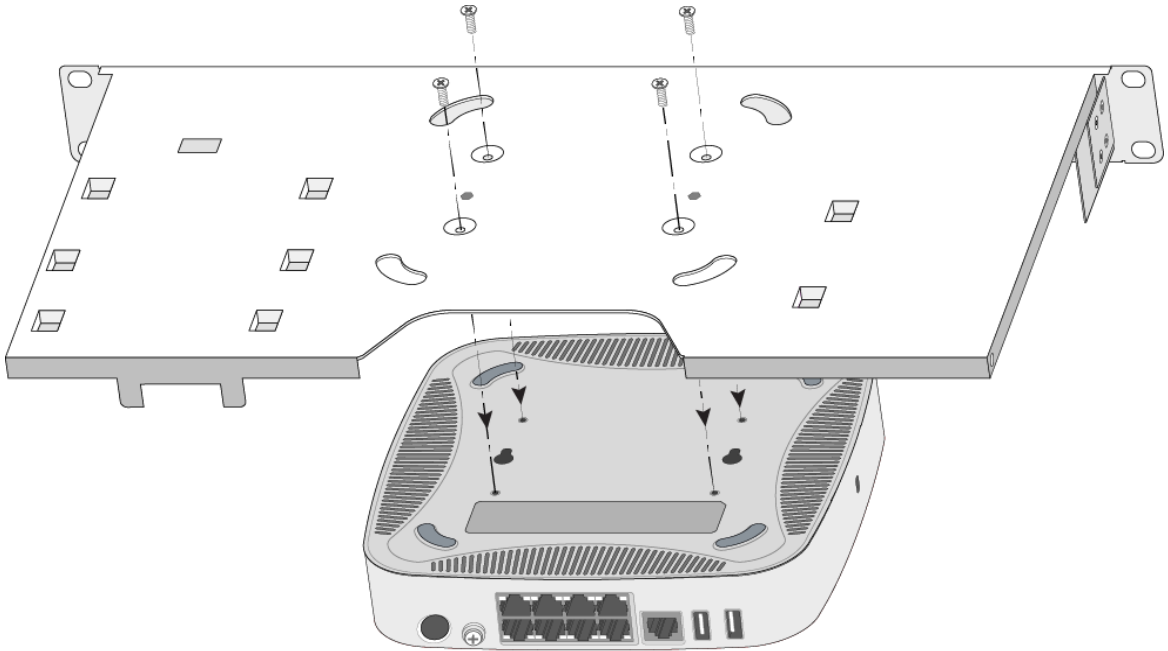
Some racks require screws that differ from those included with the 7008 controller accessory kit. Ensure that you have the correct screws before installing the 7008 controller.

Installation Steps

To install a 7008 controller into a two post 19-inch Telco rack:

1. Turn the rack mount tray up side down to align the controller with the screw holes on the tray. Secure the controller using four M3 x 5 mm flat head screws and a suitable screwdriver. See [Figure 1](#).

Figure 1 *Controller Installation on the Tray*

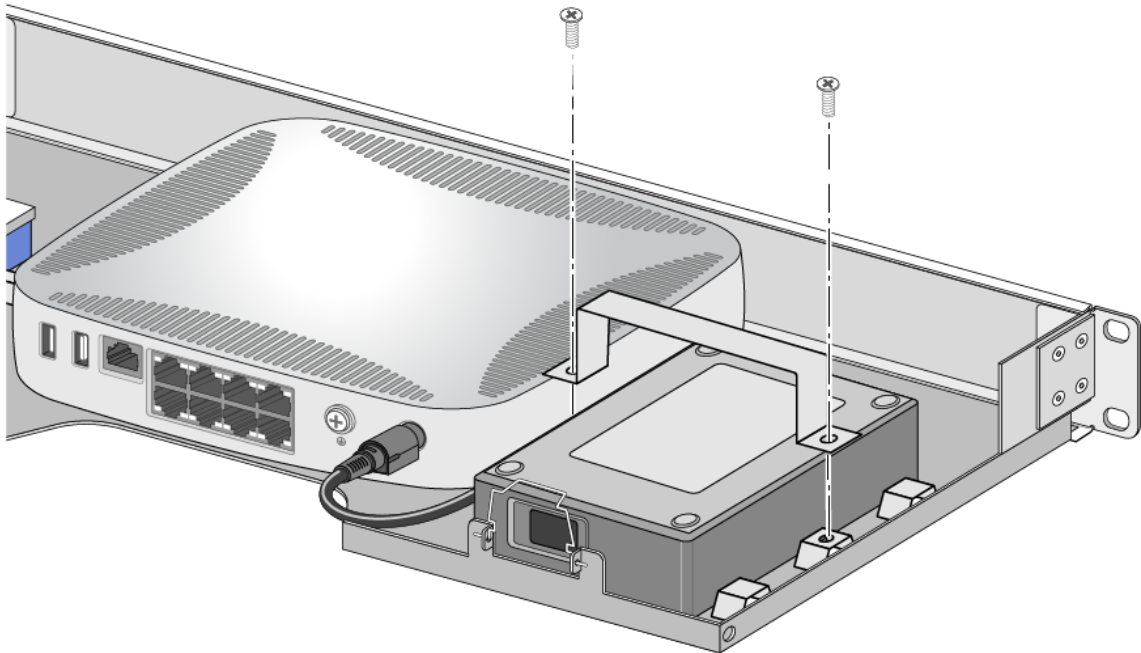


2. Connect the DC cable from the power adapter to the controller.
3. Place the power adapter up side down in the specified location in the tray. See [Figure 2](#).



If the power adapter is not placed up side down, the power adapter bracket will not secure correctly.

Figure 2 *Securing the Power Adapter in the Rack Mount Tray*



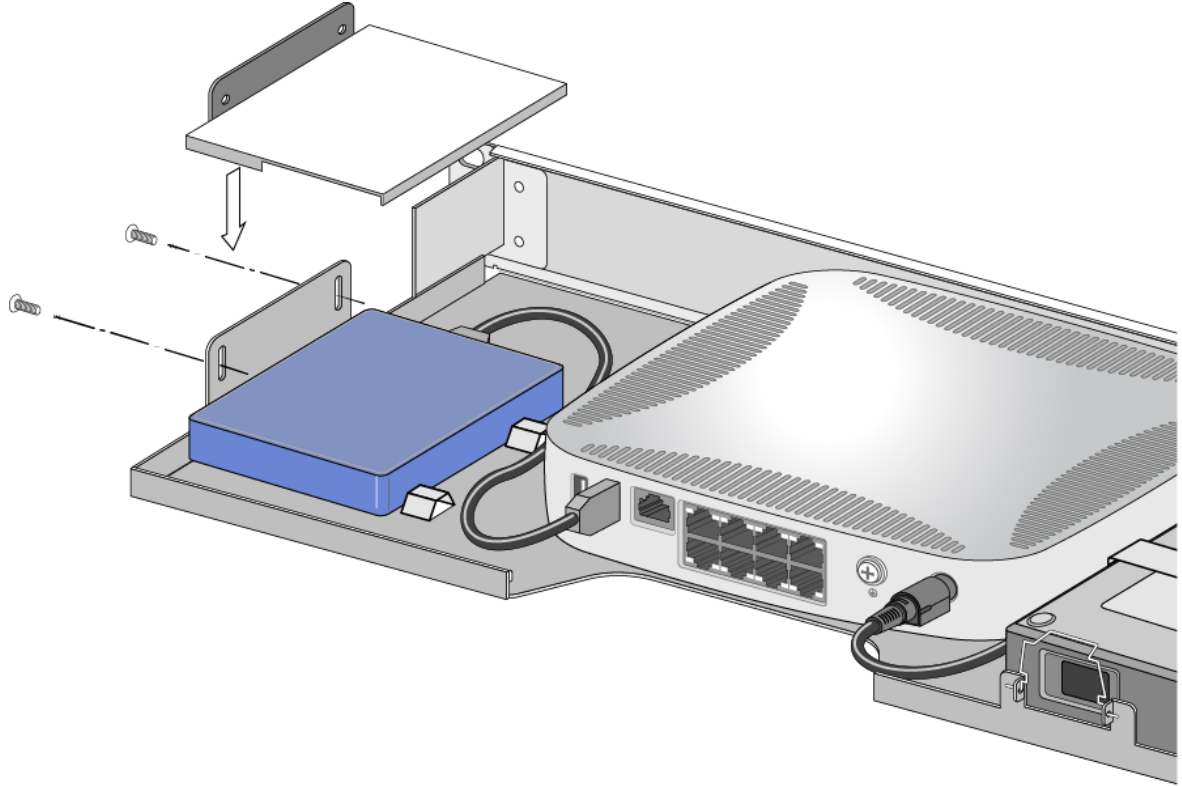
4. Secure the power adapter using the power adapter bracket and two M3 x 6 mm pan head screws, and a suitable screwdriver. See [Figure 2](#).
5. Insert the power supply cord clip. See [Figure 2](#).

- (Optional) Place the HDD in the specified location in the rack mount tray. Connect the USB cable from the HDD to the USB 3.0 interface on the controller. Secure the HDD using the HDD bracket, two M3 x 6 mm pan head screws, and a suitable screwdriver. See [Figure 3](#).



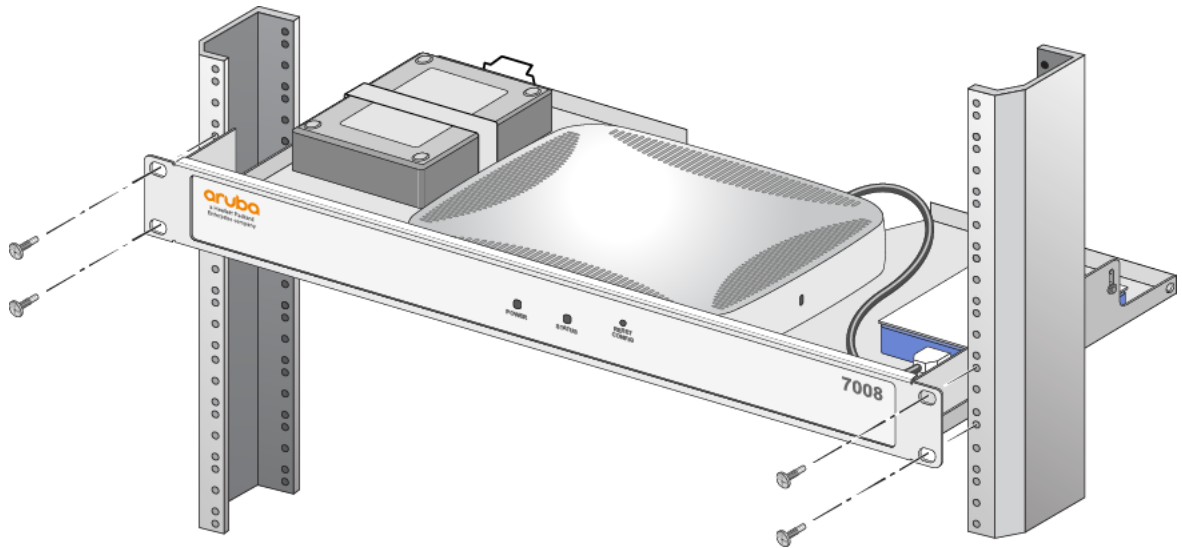
The HDD bracket is designed to fit only the WD Elements 1TB Portable External Hard Drive (part number: WDBUZZG0010BBK).

Figure 3 *Securing the HDD in the Rack Mount Tray*



- Mount the tray within the two-post 19-inch rack using four M6 x 15 mm Phillips pan head screws and a suitable screwdriver. See [Figure 4](#).

Figure 4 *Rack Mount Installation*



8. At the back of the rack mount tray, ensure the power supply cord clip is up. Insert the power supply cord into the power adapter.
 9. Bring down the power supply cord clip and latch it on the power supply cord to secure the cord.
- Rack mount installation of a 7008 controller is now complete.

Installation Recommendation

- Leave at least one rack unit (RU) gap above and below the rack-mounted 7008 controller.
- Leave additional space in front and rear side of the controller to access power cords, network cables, and indicator LEDs.

Contacting Aruba

Web Support	
Main Site	http://www.arubanetworks.com
Support Site	https://support.arubanetworks.com
Airheads Social Forums and Knowledge Base	community.arubanetworks.com
North American Telephone	1-800-943-4526 (Toll Free) 1-408-754-1200
International Telephones	arubanetworks.com/support-services/aruba-support-program/contact-support/
Software Licensing Site	licensing.arubanetworks.com/
End-of-life Information	arubanetworks.com/support-services/end-of-life/
Security Incident Response Team (SIRT)	Site: arubanetworks.com/support-services/security-bulletins/ Email: sirt@arubanetworks.com

© Copyright 2016 Hewlett Packard Enterprise Development LP
All rights reserved



0511922-01



www.arubanetworks.com

Hewlett Packard Enterprise Company
Attn: General Counsel 3000 Hanover Street
Palo Alto, CA 94304 USA
Phone: 408.227.4500
Fax 408.227.4550